



# CERTIFIED POWERED BY ENDURA™ DOOR SYSTEMS

Certified Powered By Endura™ Door Systems by Endura Products provide long-lasting protection against air and water infiltration. Precise engineering and certified testing deliver maximum performance.





# PERFORMANCE.

## WHY DO CERTIFIED POWERED BY ENDURA™ DOOR SYSTEMS PERFORM?

The Certified Powered By Endura Door System program is a combination of state-of-the-art Certified Powered By Endura products, certified testing, and a performance warranty to create reliable and competitive door systems.

Endura developed the Certified Powered By Endura Door System to produce the highest-performing door systems available which reduce the possibilities and causes of door unit failure. Utilizing the Certified Powered By Endura Door System eliminates:

- **Customer Callbacks**
- **Wasted Time on Repairs**
- **Lost Productivity on Repairs**
- **Lost Revenue on Repairs**
- **Expensive Damage Due to Water Leaks**

Certified Powered By Endura Door Systems are superior because the parts are designed to work together. When these components are used in conjunction, the seal between the door and the opening is maximized, and air and water infiltration is minimized.

Certified Powered By Endura Door Systems provide:

- **Superior Performance** - Certified Powered By Endura provides you with a certified third-party tested and field proven door system backed by a warranty you pass on to your customers.
- **Components That Work Together** - Certified Powered By Endura is a complete system of components designed specifically for your door slabs. You benefit directly from our engineering and certified testing.
- **You Can Sell and Stand Behind Certified Powered By Endura** - The Certified Powered By Endura Door System is something you can sell with confidence. You get proven performance and a warranty your customer can transfer to the homeowner. This valuable feature builds your company's reputation and market share.
- **Certified Powered By Endura Marketing Tools** - The program provides you with attractive and effective marketing materials to help you sell Certified Powered By Endura Door Systems.

**1 Z-Series Sills** - Continuous, one-piece sills ensure the integrity of the entire door system. Endura's sills are precision engineered and feature a composite substrate that won't rot, warp or deteriorate.

**2 Ultimate Astragal** - Eliminates the failure of the rubber boot with a patented floating three-point seal that is protected from damage when traveling over the threshold.

**3 Weatherseals** - Only Certified Powered By Endura Door System weatherseals offer the resilience, durability and consistent compression for lasting performance.

**4 Door Bottoms** - Our Dual Bulb design provides increased surface contact with the threshold for a superior seal.

**5 Continuous Sills, Headers and One-Piece Mulls** - Continuous, one-piece headers provide strength to the entire door unit. One-piece mulls feature superior strength, a perfect fit and require no additional finishing.

# WARRANTED.

## WHAT IS THE CERTIFIED POWERED BY ENDURA™ DOOR SYSTEM WARRANTY?

It's a clearly defined, strong warranty. Endura stands behind Certified Powered By Endura Door System performance with a clearly stated and powerful warranty your customer can transfer to the homeowner. The combination of the highest quality door system components along with our guarantee will improve your reputation and market share.

### WARRANTY PERIOD

Lifetime, non-transferable Warranty from the date the Certified Powered By Endura Door System was purchased.

### UNIT IDENTIFICATION

Each Certified Powered By Endura Door System may be identified by a non-removable tag or label identifying such Certified Powered By Endura door unit.



### WARRANTY EXCLUSIONS

There are exclusions that the Certified Powered By Endura warranty will not cover including changing components and improper installation.

### CLAIMS

Claims must be initiated promptly following Warranty Holder's earliest awareness of a potential issue.

### GENERAL CONDITIONS

This is the only express warranty applicable to Certified Powered By Endura Door Systems and no one is authorized to modify or expand this Warranty.

### WARRANTY REIMBURSEMENT

Applies if the Certified Powered By Endura Door System includes all of the applicable components referenced above, has been properly assembled and installed following recommended Certified Powered By Endura procedures, has not been subjected to changes in rough opening dimensions and stability (i.e. plumb and square) and has been properly maintained by the Warranty Holder, and the product (or components) fails to perform to the certified and published levels of air and water infiltration applicable to the Door System during the Warranty Period solely due to non-conformities in the product as warranted, and Endura is notified using Certified Powered By Endura Warranty Claims Procedures.

### CERTIFIED POWERED BY ENDURA WARRANTY REIMBURSEMENT GUIDELINES<sup>(a)</sup>

Components Utilized	With Sill Pan <sup>(b)</sup>		Without Sill Pan	
	With Multi-Point Lock <sup>(c)</sup>	Without Multi-Point	With Multi-Point Lock <sup>(c)</sup>	Without Multi-Point
Single Door Multiple Panel Door <sup>(d)</sup>	\$500 \$1,500	\$350 \$1,000	\$275 \$750	\$200 \$500
FrameSaver Single/French Door CSL/Hinged Patio	Add \$75 \$150	Add \$75 \$150	Add \$75 \$150	Add \$75 \$150
NAMI Certified Assembly <sup>(e)</sup>	Add \$100	Add \$100	Add \$100	Add \$100

\*For complete Certified Powered By Endura Warranty information, visit our website: [www.enduraproducts.com](http://www.enduraproducts.com)



# CERTIFIED.

## HOW ARE CERTIFIED POWERED BY ENDURA™ DOOR SYSTEMS THIRD-PARTY CERTIFIED TESTED?

Third-Party Certified Powered By Endura Door System testing is conducted by or witnessed by an accredited entity that is independent from the manufacturer whose door product is being tested. Endura, in conjunction with a third party, conducts independent testing on door units incorporating panels from most major manufacturers for Certified Powered By Endura results.

## WHY IS CERTIFIED TESTING IMPORTANT?

Testing is important because it provides information on the performance capability of a door system. In markets where building codes dictate minimum performance requirements, it is only through testing that a door system's capability can be understood. Testing results can also be used for general marketing purposes, even if code requirements do not exist.

## EXAMPLE OF THIRD-PARTY CERTIFIED POWERED BY ENDURA TESTING\*

Config.	Height	Swing	Lock	Fiberglass - Textured				Fiberglass - Smooth				Steel - Wood Edge				
				Flush Glass			Cert. Report #	Flush Glass			Cert. Report #	Insert Glass			Cert. Report #	
				Air	Water	Structural		Air	Water	Structural		Air	Water	Structural		
X X	6/8	Inswing	Double Bore	0.08	DP25	DP+40/-45	NCTL-110-13238-1						0.03	DP30	DP+35/-40	NCTL-110-13235-1
			Hoppe MP	0.00	DP40	DP35	CTL 1646W-6a	0.00	DP40	DP35	CTL 1646W-6a	(This Configuration Not Tested)				
			Ult MP	0.05	DP40	DP+45/-50	NCTL-110-12110-6									
		Outswing	Double Bore	0.01	DP55	DP+50/-45	NCTL-110-13238-2					0.06	DP50	DP30	NCTL-110-13235-2	
			Hoppe MP	0.03	DP45	DP40	CTL 1646W-2a	0.00	DP40	DP45	CTL 1646W-2a	(This Configuration Not Tested)				
	8/0	Inswing	Double Bore	0.07	DP20	DP40	NCTL-110-13238-3					0.06	DP25	DP+30/-35	NCTL-110-13235-3	
			Hoppe MP	0.01	DP40	DP40	CTL 1646W-1a	0.00	DP40	DP35	CTL 1646W-1a	(This Configuration Not Tested)				
			Ult MP	0.05	DP40	DP+45/-50	NCTL-110-12110-1					0.02	DP40	DP+40/-45	NCTL-110-12110-6	
		Outswing	Double Bore	0.01	DP70	DP+45/-40	NCTL-110-13238-4					0.01	DP80	DP+50/-45	NCTL-110-13235-4	
			Hoppe MP	0.00	DP45	DP30	CTL 1646W-a	0.01	DP40	DP25	CTL 1646W-a	(This Configuration Not Tested)				
X 0 X	6/8	Inswing	Double Bore	0.04	DP35	DP+50/-55	NCTL-110-13238-5					0.00	DP55	DP+35/-40	NCTL-110-13235-5	
			Hoppe MP	0.01	DP45	DP35	CTL 1646W-8a	0.02	DP50	DP40	CTL 1646W-8a	(This Configuration Not Tested)				
		Outswing	Double Bore	0.02	DP70	DP60	NCTL-110-13238-6					0.00	DP70	DP40	NCTL-110-13235-6	
			Hoppe MP	0.00	DP50	DP45	CTL 1646W-7a	0.00	DP50	DP30	CTL 1646W-7a	(This Configuration Not Tested)				
	8/0	Inswing	Double Bore	0.04	DP30	DP+40/-45	NCTL-110-13238-7					0.01	DP35	DP+30/-35	NCTL-110-13235-7	
			Hoppe MP	0.01	DP50	DP30	CTL 1646W-4a	0.01	DP50	DP30	CTL 1646W-4a	(This Configuration Not Tested)				
		Outswing	Double Bore	0.02	DP65	DP40	NCTL-110-13238-8					0.01	DP70	DP+30/-25	NCTL-110-13235-8	
			Hoppe MP	0.03	DP75	DP35	CTL 1646W-5a	0.01	DP55	DP50	CTL 1646W-5a	(This Configuration Not Tested)				
X (7)	8/0	Inswing	Hoppe MP	0.00	DP50	DP45	CTL 1646W-3a	0.01	DP55	DP50	CTL 1646W-5a	(This Configuration Not Tested)				

\*Chart provided as example only. See our Web site for detailed testing information: [www.enduraproducts.com](http://www.enduraproducts.com)



# PROPER ASSEMBLY & INSTALLATION.

## ASSEMBLY

Clear, easy to understand instructions and training are provided on how to assemble each product in order to build the best performing Certified Powered By Endura™ Door System.

## INSTALLATION

Certified Powered By Endura provides clear and simple installation instructions to help builders install door systems properly and effectively. It is critical that proper installation is achieved for the warranty guarantee. Installation instructions will be stapled to each door unit.

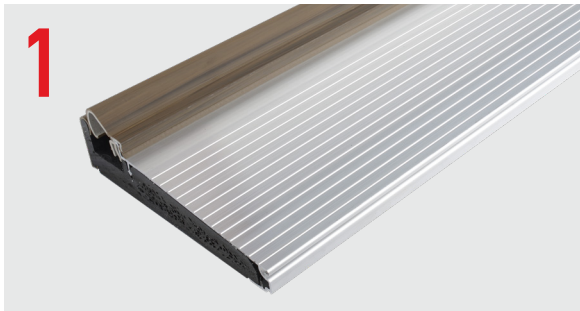
# THE LEVELS OF CERTIFIED POWERED BY ENDURA™ PROTECTION

The Certified Powered By Endura Door System program is divided into different levels to best suit your specific needs.

LEVEL 1 WITH SILL PAN	
WITH MULTI-POINT	WITHOUT MULTI-POINT
✓ Z-Series Sill Ultimate Astragal	✓ Z-Series Sill Ultimate Astragal
✓ Multi-Point Astragal	Multi-Point Astragal
✓ Dual Bulb Door Bottom	✓ Dual Bulb Door Bottom
✓ Simple Solution™ Corner Pad	✓ Simple Solution™ Corner Pad
✓ PE650 Low-Wick Weatherstrip	✓ PE650 Low-Wick Weatherstrip
✓ SureSill™ Pan	✓ SureSill™ Pan

LEVEL 2 WITHOUT SILL PAN	
WITH MULTI-POINT	WITHOUT MULTI-POINT
✓ Z-Series Sill Ultimate Astragal	✓ Z-Series Sill Ultimate Astragal
✓ Multi-Point Astragal	Multi-Point Astragal
✓ Dual Bulb Door Bottom	✓ Dual Bulb Door Bottom
✓ Simple Solution™ Corner Pad	✓ Simple Solution™ Corner Pad
✓ PE650 Low-Wick Weatherstrip	✓ PE650 Low-Wick Weatherstrip
✓ SureSill™ Pan	✓ SureSill™ Pan

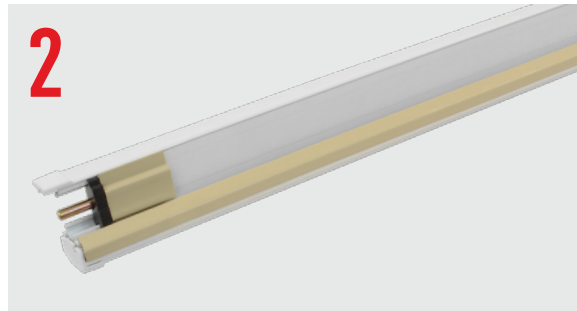
# THE HIGHEST-PERFORMING COMPONENTS



## COMPONENT 1: Z-SERIES SILLS

Z-Series Sills provide the best combination of performance and value.

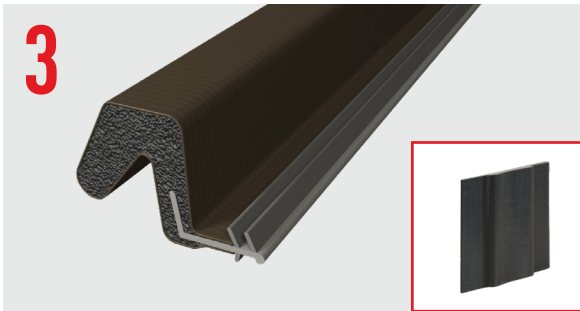
1. Built to last with all-composite substrates
2. Modularity for savings and flexibility
3. Never needs adjustment (Z-AC only)
4. Seals with imperfect margins (Z-AC only)



## COMPONENT 2: ULTIMATE ASTRAGAL

The Ultimate Astragal has a floating three-point seal that resists damage because the seal is lifted when traveling over the threshold.

1. Patented, retractable floating boot eliminates the failure of the rubber boot
2. 4-way adjustable strike retainers



## COMPONENT 3: WEATHERSEALS

Weatherseals designed, engineered and tested to provide the ultimate protection from outside elements.

1. Offers more contact surface with door panel
2. Low-Wick Weatherseals
  - Absorbs 50% Less Water
  - Available in PE650 & Simple Solution™ Corner Pads



## COMPONENT 4: DOOR BOTTOMS

Endura's Dual Bulb Door Bottoms offer a superior barrier against air and water.

1. Door bottom retains its shape and maintains tight contact with the sill
2. Prevents intrusion of the elements while allowing comfortable door sweep



## COMPONENT 5: CONTINUOUS SILLS, HEADERS AND ONE-PIECE MULLS

Endura's continuous sills, headers and one-piece mulls eliminate joints that allow water and air intrusion.

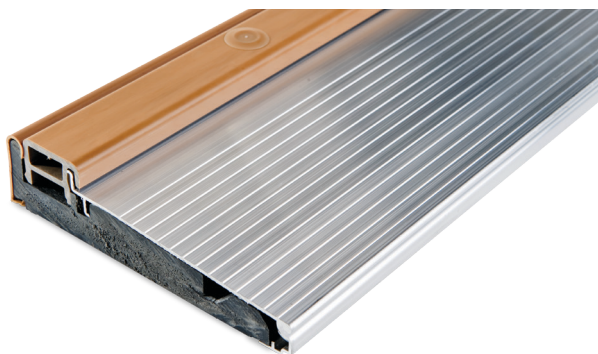
1. Parts are precisely machined to meet specifications and ensure a secure fit
2. Provides superior strength
3. Prevents racking & poor system performance



Look for the Certified Powered By Endura™ Door System tag proudly displayed on our door systems

# Z-SERIES SILLS

No more air and water infiltration.  
No rotting, warping or deterioration either.  
**That's Performance Standard.**

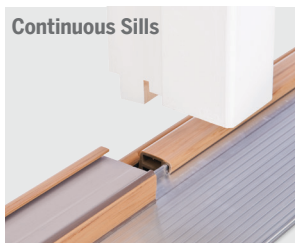


- **Proven in the field**—Z-Series Sills address real-world problems that builders face in the field, ending callbacks.
- **Built to last**—integrated seals stop water and air, and all-composite substrates prevent rotting, warping or deterioration over time.
- **Choose your style**—inswing, bumper outswing and continuous mull pack sills in a variety of colors, styles and sizes make it easy to meet your specific application needs.
- **Endless combinations**—Z-Series modularity keeps inventory count down while the variety of colors, styles and sizes makes it easy to offer a wide variety of door configurations.
- **Enhanced installation and sealing**—inactive panel seats allow for perfect panel placement, and continuous sill designs provide additional strength and sealing beneath the mull and along the unit.

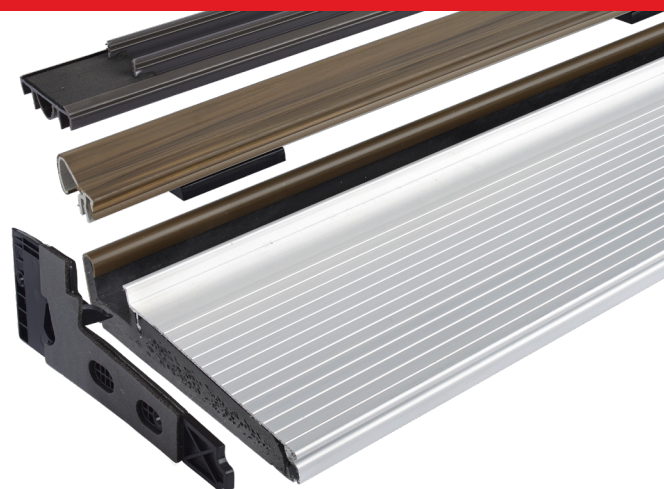
Bumper Outswing Sills



Continuous Sills



## NEXT-LEVEL PERFORMANCE



### Z-ARTICULATING CAP SILL™ (Z-AC)

The industry-leading Z-Articulating Cap Sill is the ultimate Z-Series Sill. Z-AC is an auto-adjusting sill and built-in sealing system that redefines what your door system can do for you, saving you valuable time, money and resources, while delivering ultimate customer satisfaction.

- **Never needs adjustment**—Z-AC's spring-loaded cap never needs adjustment.
- **Seals with wide margins**—Z-AC seals with strike margins up to 5/32", and still works if margins reach 3/16" (with corner pads).
- **Seals with missing corner pads**—missing a corner pad? Z-AC still seals.
- **Outperforms all other sills**—Z-AC has been tested and proven to outperform every other sill on the market.
- **Saves time and money**—Z-AC eliminates extra install steps and service calls, saving you valuable time, money and resources. See for yourself at [ZACsaves.com](http://ZACsaves.com).

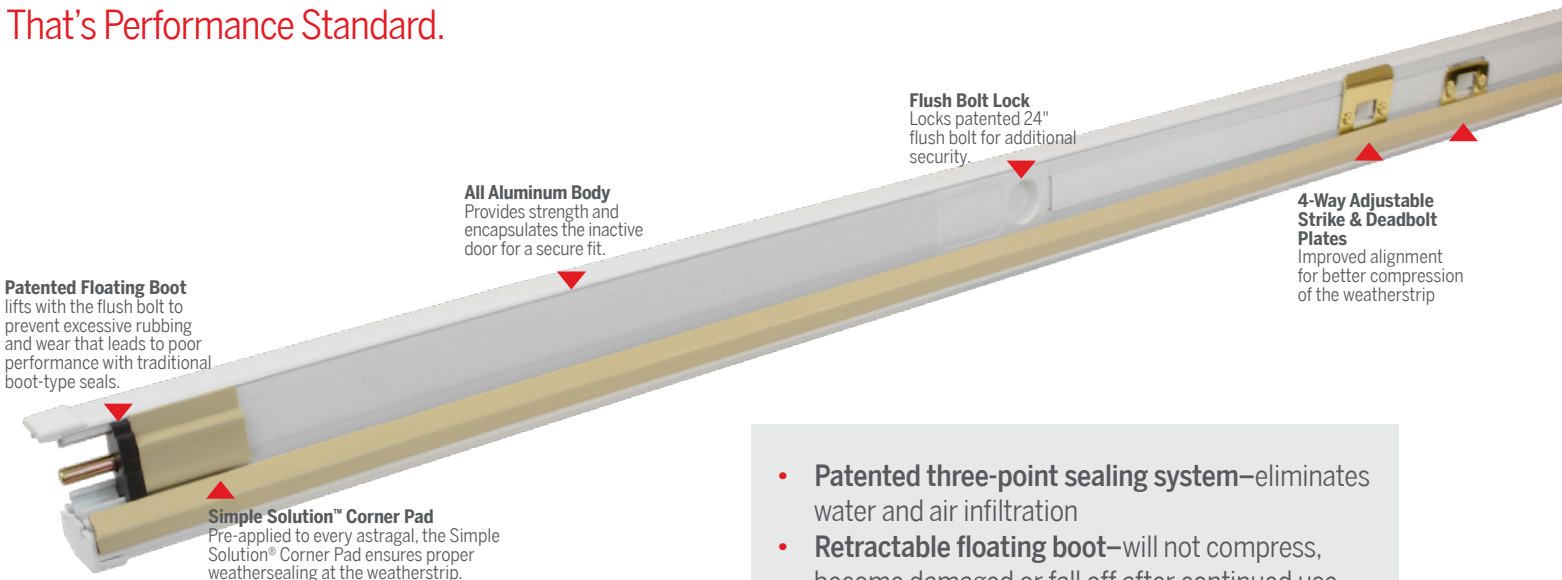
### CERTIFIED POWERED BY ENDURA™ FACT

High dam technology and a dual durometer seal provide a barrier to moisture and air even in the most extreme weather conditions.



# ULTIMATE ASTRAGAL

No more air and water infiltration.  
No more leaks!  
That's Performance Standard.



**Patented Floating Boot**  
lifts with the flush bolt to prevent excessive rubbing and wear that leads to poor performance with traditional boot-type seals.

**All Aluminum Body**  
Provides strength and encapsulates the inactive door for a secure fit.

**Simple Solution™ Corner Pad**  
Pre-applied to every astragal, the Simple Solution® Corner Pad ensures proper weathersealing at the weatherstrip.

**Flush Bolt Lock**  
Locks patented 24" flush bolt for additional security.

**4-Way Adjustable Strike & Deadbolt Plates**  
Improved alignment for better compression of the weatherstrip

- **Patented three-point sealing system**—eliminates water and air infiltration
- **Retractable floating boot**—will not compress, become damaged or fall off after continued use. The boot lifts up with the flush bolt to clear the threshold when the door is opened and is secured in place when the door is closed to provide a lasting seal
- **4 way adjustable strike retainers**—improved alignment for better compression of the weatherstrip
- **Reversible handing**
- **Easy conversion**—to inswing and outswing
- **Easy installation**—save time and money

## Patented Floating Boot

Lifts with the flush bolt to prevent excessive rubbing and wear that leads to poor performance with traditional boot-type seals.

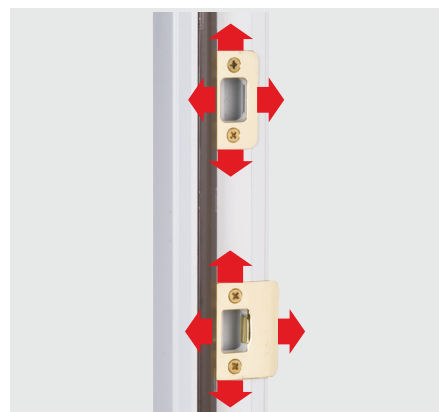
Floating Boot Up



Floating Boot Down



Adjustable Strike and Deadbolt Plates



## CERTIFIED POWERED BY ENDURA™ FACT

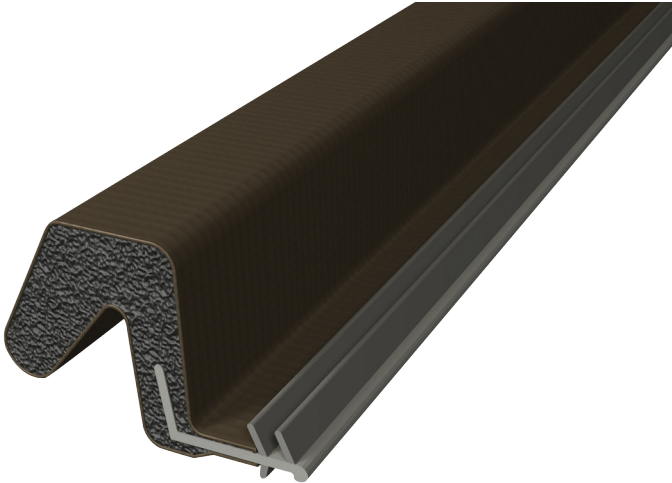
The Ultimate Astragal solves builders problems by eliminating air and water infiltration and preventing leaks.

# WEATHERSEALS

Prevent air and water infiltration.  
Proven and innovative solutions.  
That's Performance Standard.

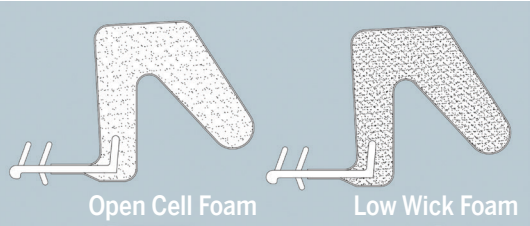
Air and water infiltration due to poorly performing door systems is a constant problem for builders and homeowners. This can also become a very expensive problem when facing repairs. Our line of weathersealing products are:

- Tested to the highest standards
- Proven performers in the field
- Resilient & constructed with the most durable materials
- Designed for consistent compression
- Easy to install
- Designed to work in conjunction with Endura weathersealing components



**PE650 WEATHERSTRIP**

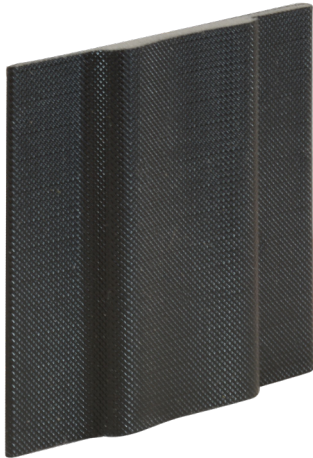
**PROBLEM:** Weatherstripping can become kinked or bunched in the door system resulting in poor performance.  
**SOLUTION:** PE650 Weatherstrip is durable, resilient and creates consistent compression every time, providing a long-lasting seal and protection against air and water infiltration.



**ENDURA'S LOW-WICK WEATHERSEALS**

Endura weathersealing features low-wick foam that reduces water absorption. The foam formulation has been modified to provide a combination of closed-cell and open-cell structure. As moisture wicks into the foam, its travel and subsequent volume is limited once it contacts the closed cells. The Low Wick Foam is standard with PE650 Weatherstrip & Simple Solution™ Corner Pads.

- The low water wicking foam absorbs over 50% less water
- Uses a combination of closed-cell and open-cell structure



**SIMPLE SOLUTION™ CORNER PAD**

**PROBLEM:** Endura discovered that air pressure causes water to flow up the interior column of the weatherstrip.  
**SOLUTION:** The Simple Solution® Corner Pad counteracts upward water travel in the weatherstrip column, and forms a tight seal between the panel and frame.

**CERTIFIED POWERED BY ENDURA™ FACT**

Weathersealing components are small, yet high-performing products that are critical to overall door performance.



# DOOR BOTTOMS

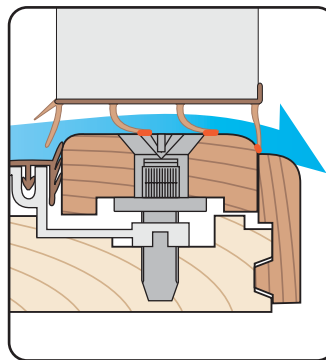
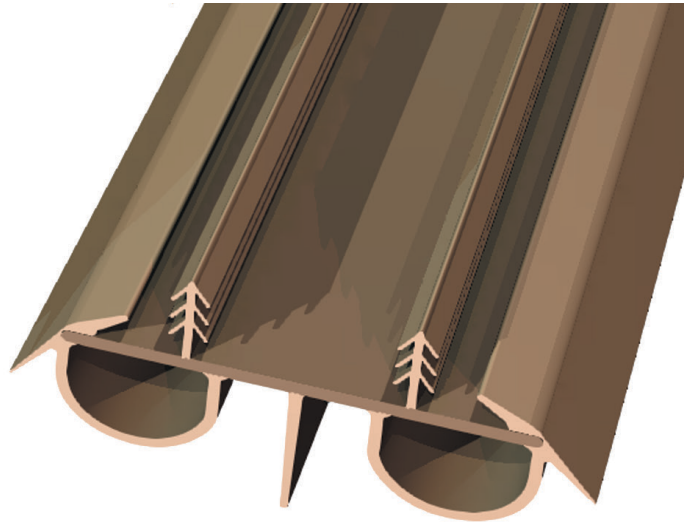
A superior barrier to the elements with a comfortable door sweep.  
That's Performance Standard.

Endura's door bottoms offer a superior barrier against air and water. The durable materials used in the leading edge bulb design:

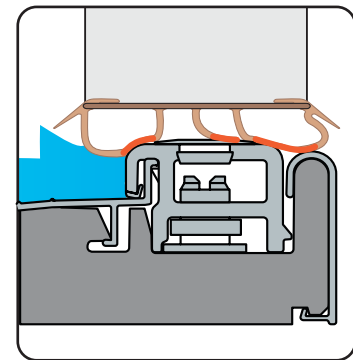
- Allow the door bottom to retain its shape and maintain tight contact with the sill
- Prevent intrusion of the elements while minimizing door operating loads

With "fin" door bottoms, there is only a thin line of contact between the sill and the fin. As illustrated to the right, time and wear can warp the fins, resulting in a loss of contact between the door and sill. On a traditional door bottom with the "fin" or "finger" design, the fins do not create a consistent seal and this allows even more air and moisture infiltration.

The Leading Edge Bulb Design provides a wider, stronger quality seal to keep air and moisture outside. With the bulb design, a continuous seal forms along the dam, creating maximum area of surface contact between the door and sill. The bulb also retains its shape far longer than a fin design, providing long lasting performance.

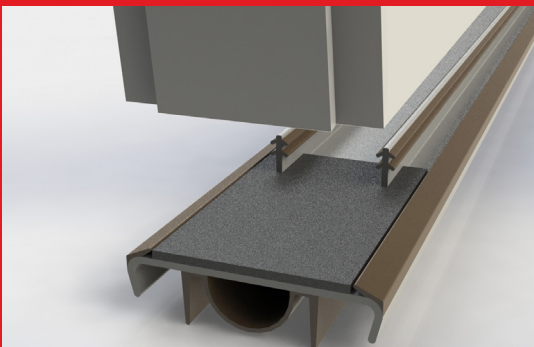


Traditional "Fin" Design



Leading Edge Bulb Design

## ENHANCED PROTECTION: Z-AC DOOR BOTTOM



The Z-AC Door Bottom offers enhanced protection against air and water infiltration. The unique design works with the Z-AC cap to form a tight seal and delivers superior performance every time.

- **Extended sealing power**– fins and sealing bulb deliver trouble-free performance even with imperfect margins.
- **No caulk. No problem.**– Z-AC Door Bottoms seal without caulk, allowing easy assembly and lasting performance.

\* For Z-AC sills only



### CERTIFIED POWERED BY ENDURA™ FACT

Endura's Leading Edge Bulb design is superior to traditional "fin" designs which can lose shape and won't keep close contact with the sill.

# CONTINUOUS HEADERS & ONE-PIECE MULLS

Superior strength  
and a perfect fit.

**That's Performance Standard.**

Endura's Mull parts are pre-cut and machined with pre-drilled screw holes, requiring only a small effort on your part. The accuracy of the computer-aided design ensures a system that will fit together perfectly and easily with minimal pieces for you to assemble. With the Mull Pack, the structural integrity makes leaking door systems a thing of the past.

**CONTINUOUS HEADERS** with non-invasive routing provide exceptional strength to prevent racking during transportation to the build site.

**PRE-DRILLED SCREW HOLES** for efficient assembly.

**ONE-PIECE MULLS** provide fit, superior strength and attractive sight lines with no additional finishing.

- **Pre-Routed Pockets** for strike plates, deadbolts and hinges are precisely positioned according to your specifications.
- **Decorative Brick Mould** is precut to 45° for a perfect flush fit.
- **Pre-Tenoned Jambs** and haunched one-piece mulls provide a perfect fit and superior strength.



Continuous Headers



One Piece Mulls



## CERTIFIED POWERED BY ENDURA™ FACT

Back-to-back jamb construction lacks strength & requires additional finishing. One-piece mulls are strong and require no additional finishing.



# MULTI-POINT ASTRAGAL (MPA)

ADDITIONAL COMPONENTS



## ONE-TWO PUNCH FOR SECURE PERFORMANCE

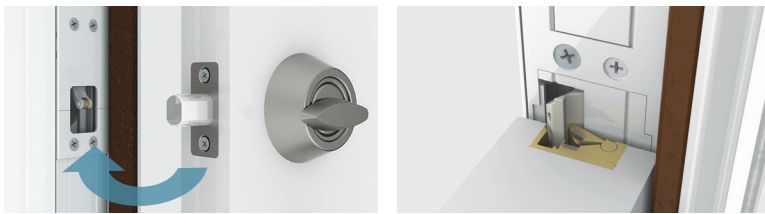
The Flip Lever activates both Flush Bolts and the Floating Boot at the same time. Engaging the deadbolt activates both lock pawls into keepers. Secure Performance Standard.



### 1. One Flip. Endless Sealing.

Operate Flip Lever to engage both Flush Bolts and patented Floating Boot at once.

Patented spring loaded Floating Boot finds the lowest point on the sill that maintains a perfect seal at all times.



### 2. Multi-Point Sealing Power.

Engaging the deadbolt compresses the lock actuator to activate the patented locking system.

Upper and lower multi-point lock pawls are captured by keepers in the active door panel.

MPA combines the strength and support of a multi-point lock with Endura's Ultimate Astragal to provide:

- **Solid protection against deflection** in fiberglass, wood or wood-edge steel doors—three secure locking points stop air and water infiltration, saving energy
- **Cost effectiveness**—save on both hardware costs and labor
- **Ease of installation**—minimal machining and the simplicity of installing an astragal
- **Works with most standard deadbolt lock sets**—no special hardware
- **All the features of the Ultimate Astragal**—patented floating boot, Simple Solution™ Corner Pad, aluminum body and 4-way adjustable strike
- **Availability in both painted and veneer finishes.**
- **Flip Lever standard**—enhanced accessibility



## CERTIFIED POWERED BY ENDURA™ FACT

Easy, comfortable Flip Lever activates dual engagement of bolt with one easy motion. Eliminates manual flush bolt operation.

# SURESILL™ SLOPED SILL PAN

ADDITIONAL  
COMPONENTS

The SureSill Sloped Sill Pan from Endura creates a forceful barrier against costly water damage. SureSill™ is pre-installed in the rough opening to solve leak problems in door systems by draining water to the exterior of the unit. The unique sloped pan has been engineered to fit any door opening by using interlocking components and is the only sill pan that effectively drains water away – preventing damage.

- SureSill provides a solution against moisture intrusion which leads to problems such as rot, decay and mold
- Provides an effective and durable integrated draining system with a level horizontal surface and a recessed slope along the entire length of the door unit
- SureSill Sloped Sill Pan fits any door or up to 12'-6" wide



## SURESILL™ SLOPED 10X™ SILL PAN WITH FLEX CAPS

The only sill pan which is used for ten sill pan sizes: 3-1/4", 3-5/8", 4-1/8", 4-9/16", 5-1/4", 5-3/4", 6-1/8", 6-9/16", 6-13/16", 7-1/4"

- Provides an effective and durable integrated draining system with level horizontal surface and a recessed slope along the entire length of the door unit
- Reduces number of SKUs and helps move inventory faster
- Can be extended (spliced) for bigger rough openings by using FlexCap™ over the splice
- SureSill fits any door or opening up to 12'-6" wide

### CERTIFIED POWERED BY ENDURA™ FACT

The SureSill Sloped Sill Pan has been designed to reach the edge of virtually any rough opening.



# FRAMESAVER®

ADDITIONAL  
COMPONENTS

At Endura Products, we stand behind the superior performance of our products. FrameSaver® Door Frames are simply the best wood frames on the market. Backed by fully-transferable warranty, FrameSaver delivers the performance of composite and trusted strength of wood in one innovative framing solution.

- **Rot-Proof Protection:** FrameSaver's composite bottom never absorbs water, warps, cracks or rots, and even resists insects.
- **FrameSaver Lifetime Warranty**
  - Fully transferable
- **Easily identifiable FrameSaver Brand stamped right onto the product**
- **Finishes and paints just like wood**
- **The composite material is finger-jointed to wood for a perfect fit that maintains the structural integrity of the frame**
  - Extremely strong and durable
- **180 Day Primer comes standard**
  - 180 days of protection
  - Excellent coverage



 **LIFETIME WARRANTY**  
*The Best In The Industry*

FRAMESAVER® PREVENTS:



## CERTIFIED POWERED BY ENDURA™ FACT

FrameSaver Door Frames solve the problem of rotting frames, an issue commonly seen by homeowners.

## CERTIFIED POWERED BY ENDURA™ LIMITED WARRANTY

This CERTIFIED POWERED BY ENDURA WARRANTY (“Warranty”), extended by Endura Products, Inc. (“Endura”), provides that, subject to the limitations and exclusions below, and for the duration of the applicable Warranty Period (i) the Endura Components contained therein (and as detailed in Section 1 below) will be free from non-conformities in materials and workmanship and (ii) provides for additional payment by Endura of up to a maximum of \$1,500 reimbursement if the Certified Powered By Endura Door System fails to perform (on the basis of water infiltration) to the certified performance criteria of that system. This Warranty applies to Certified Powered By Endura Door Systems purchased and installed on or after December 1, 2010.

- 1. Components Incorporated in Certified Powered By Endura System this Warranty Covers:** Each Door System covered under the Certified Powered By Endura Warranty shall incorporate Endura approved and supplied components reflecting those utilized in the results provided for certified testing performed by Endura for the applicable Door System. Any change in or substitution for components specified below will void the Certified Powered By Endura Warranty on the Door System. Specific components supplied by Endura, utilized in Certified Powered By Endura Testing, and applicable to utilization in Certified Powered By Endura Door Systems include:
- Composite Z-Series High Dam ( 1 3/8”) Adjustable Inswing Door Sill, Composite Z-Series High Dam Bumper Outswing Sill or Composite Z-Series Articulating Cap Sill™;
  - Simple Solution™ Corner Pads, properly installed;
  - PE650 or other Endura tested and approved Certified Powered By Endura Weatherstrip;
  - Endura Dual bulb door bottom applicable to door construction/type;
  - Endura Ultimate, Ultimate 3-Point Compatible or Multi-Point Astragal on double door (French) systems;
  - Frame components (excluding side frames) for continuous sidelite, hinged patio and additional multiple panel configurations that meet the dimensional machining requirements and specifications as tested and provided to the Customer;
  - Endura multi-point lock system or other certified tested and approved multi-point lock system (optional);
  - Endura sill pan installed in accordance with published Certified Powered By Endura instructions (optional)

Endura reserves the right to, and will from time to time, modify, make improvements to, substitute for or otherwise add components to Certified Powered By Endura requirements based upon improvements in product and/or Certified Powered By Endura Door System performance. Except as provided by Endura, wood components, including but not limited to door frames, mull posts, brick mould and mull casing are not covered by this Warranty. Other Door System components, including but not limited to door slabs (and any applied or inserted panels), hinges, glass lites, wood grilles or other hardware are not covered by this Warranty. Other Door System components, including but not limited to door slabs (and any applied or inserted panels), hinges, glass lites, wood grilles or other hardware are not covered by this Warranty.

- 2. Certified Powered By Endura Warranty Period:** Lifetime, non-transferable Warranty from the date the Certified Powered By Endura Door System was purchased from an authorized dealer, except in commercial or multi-unit residential applications in which the Warranty shall be limited to 5 years from the date the Certified Powered By Endura Door System was purchased from an authorized dealer and which shall be transferable during and for any balance of the original 5 year period.
- 3. Certified Powered By Endura Unit Identification:** Each Certified Powered By Endura Door System may be identified by a non-removable tag or label identifying such Certified Powered By Endura door unit. Removal of such label by any third party installer or residential owner will void the Certified Powered By Endura Warranty on the individual Door unit.
- 4. Certified Powered By Endura Warranty Reimbursement:** If the Certified Powered By Endura Door System includes all of the applicable components referenced above, has been properly assembled and installed following recommended Certified Powered By Endura procedures, has not been subjected to changes in rough opening dimensions and stability (i.e. plumb and square) and has been properly maintained by the Warranty Holder, and the product (or components) fail to perform to the certified and published levels of air and water infiltration applicable to the Door System during the Warranty Period solely due to non-conformities in the product as warranted, and Endura is notified using Certified Powered By Endura Warranty Claims Procedures, then Endura will:
- (i) Provide a factory-authorized repair or replacement component, at no cost to the Warranty Holder OR at Endura’s option, provide replacement component(s) to the Warranty Holder or Endura’s designated dealer (assembly and installation labor is not included), OR at Endura’s option, refund the Warranty Holder’s purchase price (the lesser of the original component purchase price or the original catalogue price), in lieu of repairing or replacing the components as provided; AND
  - (ii) Pay to Warranty Holder either, selected at Endura’s option, (a) the fair market value of any other property damaged due to water infiltration caused solely as a result of such nonconforming component or Certified Powered By Endura Door System; or (b) Warranty Holder’s actual reasonable costs to repair or replace such damaged property or install replacement component(s) supplied by Endura as provided above, in either case, up to the maximum amount listed below for the specified Certified Powered By Endura Door System. Warranty Holder must have taken reasonable steps in a timely manner to mitigate any resulting property damage, provide evidence of costs or damages incurred as requested by Endura, and timely submit a claim as provided below. If the fair market value of any damaged property is unclear, Endura may engage a third party inspector or appraiser for assistance.

CERTIFIED POWERED BY ENDURA WARRANTY REIMBURSEMENT GUIDELINES <sup>(a)</sup>				
Components Utilized	With Sill Pan <sup>(b)</sup>		Without Sill Pan	
	With Multi-Point Lock <sup>(c)</sup>	Without Multi-Point	With Multi-Point Lock <sup>(c)</sup>	Without Multi-Point
Single Door	\$500	\$350	\$275	\$200
Multiple Panel Door <sup>(d)</sup>	\$1,500	\$1,000	\$750	\$500
FrameSaver	Add \$75	Add \$75	Add \$75	Add \$75
Single/French Door CSL/Hinged Patio	\$150	\$150	\$150	\$150
NAMI Certified Assembly <sup>(e)</sup>	Add \$100	Add \$100	Add \$100	Add \$100

- (a) \$ Amount represents maximum limit on Certified Powered By Endura Warranty Claims for Door units/ components Referenced;
- (b) Must be a SureSill sill pan approved by Endura and installed following Certified Powered By Endura procedures;
- (c) Must be a 3 Point Lock system tested by Endura with such door panel and approved by Endura;
- (d) Multiple panel units include French Door, Continuous Sidelite and Hinged Patio doors;
- (e) If the Certified Powered By Endura Door System is assembled by a third party NAMI certified distributor/ dealer and bears the original NAMI certified assembly label (check door-hinge edge), the Product is a “NAM Certified Assembly”.

- 5. Warranty Exclusions:** The Certified Powered By Endura Warranty does not cover the following:
- (i) FAILURE OF THE CERTIFIED POWERED BY ENDURA DOOR SYSTEM DUE TO CHANGES TO OR USE OF COMPONENTS WHICH DO NOT ADHERE TO THE SPECIFICATIONS PROVIDED TO SUCH THIRD PARTIES BY ENDURA and which have not been utilized in Certified Powered By Endura testing for such door system;
  - (ii) FAILURE OF CERTIFIED POWERED BY ENDURA DOOR SYSTEM DUE TO USE OF COMPONENTS WHICH ARE NOT GENUINE ENDURA COMPONENTS (as outlined in Section 1 above) and which have not been utilized in Certified Powered By Endura testing for such door system;
  - (iii) FAILURE OF THE CERTIFIED POWERED BY ENDURA DOOR SYSTEM DUE TO IMPROPER ASSEMBLY BY THIRD PARTIES, inconsistent with recommendations and written instructions provided by Endura or generally available in Endura’s Product Manuals as amended time to time by bulletins or other written communications on Endura’s website [www.enduraproducts.com](http://www.enduraproducts.com);
  - (iv) FAILURE OF THE CERTIFIED POWERED BY ENDURA DOOR SYSTEM DUE TO IMPROPER INSTALLATION BY A BUILDER, REMODELER OR OTHER PERSON OR ENTITY THAT INSTALLS, OR HANDLES THE PRODUCT OTHER THAN ENDURA PRODUCTS, INC., inconsistent with recommendations and written instructions provided by Endura or generally available in Endura’s Product Manuals as amended time to time by bulletins or other written communications on Endura’s website [www.enduraproducts.com](http://www.enduraproducts.com);
  - (v) Failure of the Certified Powered By Endura Door System due to uses or exposure to conditions for which its use and Warranty was not intended, such conditions to expressly include failure due to mechanically or other non-weather related driven water, utilization of inswing door units and components for outswing applications, further machining of or on the door panel, frame components after pre-hanging, or any other modifications or uses not specified in the Certified Powered By Endura pre-hanging or installation instructions;
  - (vi) Failure of the Certified Powered By Endura Door System due to failure of non-Endura supplied components (i.e. door glass assembly, door panel or hardware failure);
  - (vii) Rotting, splitting, warping or swelling of a frame system, unless the frame system is a genuine FrameSaver rot resistant component part. Use of a non-FrameSaver frame system by the Warranty Holder (or its builder, installer, contractor, or other agent) will not automatically void this Warranty, HOWEVER this warranty will not apply to Certified Powered By Endura Door System non-conformities or damages attributable to or arising from the rotting, splitting, warping, swelling or any other condition of a third party frame product;
  - (viii) Removal, reinstallation or alternation of a Certified Powered By Endura Door System or any of its components following original installation except in connection with proper and timely maintenance of components which incur normal wear and tear, such as the weatherstripping, door bottom and corner seals, in which case Warranty shall only apply if such components are replaced with the applicable Certified Powered By Endura components;
  - (ix) Failure of the Warranty Holder to provide timely normal maintenance of the Certified Powered By Endura Door System;
  - (x) Failure to operate the Certified Powered By Endura Door System in accordance with its instructions, including, without limitation, fully engaging the entire Endura approved locking system whenever the Certified Powered By Endura Door System is closed;
  - (xi) Failure of the Warranty Holder to timely take reasonable actions to mitigate any property damage;
  - (xii) Labor, services and materials to paint, stain, or refinish applied to or adjacent to the Certified Powered By Endura Door System, or other carpentry or other work that may be undertaken that is not part of the Certified Powered By Endura Door System, and which itself or in addition to any other property damage, exceeds the Maximum Certified Powered By Endura Coverage Warranty Limit;
  - (xiii) Failure to file a claim for alleged damages promptly a during the Warranty Period;
  - (xiv) Non-application of the Certified Powered By Endura Warranty due to any of its stated terms and provisions.
- 6. Claims:** Claims under this Warranty must be initiated promptly following Warranty Holder’s earliest awareness of a potential issue for which recovery arises under this Warranty. Any claims must follow specified procedures for any Claims arising from Door Systems which do not meet certified performance levels upon and subsequent to installation. Failure to follow Certified Powered By Endura Warranty Claim Procedures (either timing or procedures) may void the Certified Powered By Endura Warranty on the individual door unit. To obtain help under this Warranty, Warranty Holder should contact Endura Products, Inc., 8817 West Market St., Colfax, NC 27235 at (800) 334-2006 or at [www.enduraproducts.com](http://www.enduraproducts.com).
- 7. General Conditions and Exclusions:** The Warranty set forth in this document is the only express warranty (whether written or oral) applicable to Certified Powered By Endura Door Systems and no one is authorized to modify or expand this Warranty. Some states do not allow to not allow the exclusion or limitation of incidental or consequential damages, so the above limitations or exclusions may not apply to the Warranty Holder. This limited Warranty provides specific legal rights, but Warranty Holder may have other rights that apply from state to state. If this limited Warranty is deemed to have failed its essential purpose, in no event will Seller’s entire liability exceed the lesser of the Certified Powered By Endura Door System’s or the non-conforming components purchase price.



## MARKETING MATERIALS

Part of the Certified Powered By Endura™ program is a wide selection of full-color, professionally designed marketing materials to help sell the branded door system. We make sure to give you all the tools you need to succeed and sell our products.

Our selection of Certified Powered By Endura Door System marketing materials includes:

- Literature
- Large Posters
- Point of Purchase Displays
- Door Stickers

Proudly Supplied By



615-885-0355 | [www.warrenbros.com](http://www.warrenbros.com)